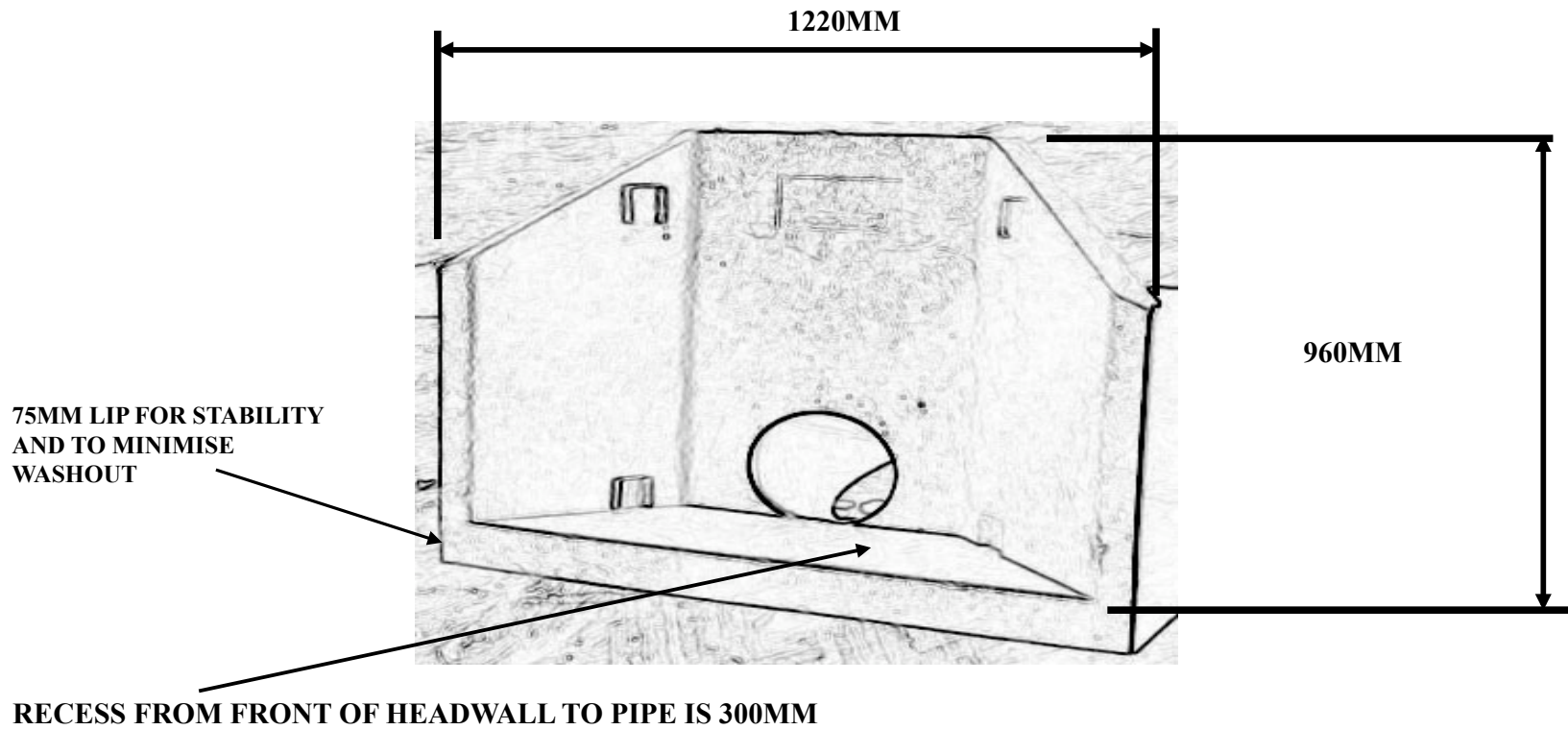


# THE GREEN PIPE<sup>®</sup>

## HEADWALL SPECIFICATIONS

WEIGHT APPROX. 60 KGS

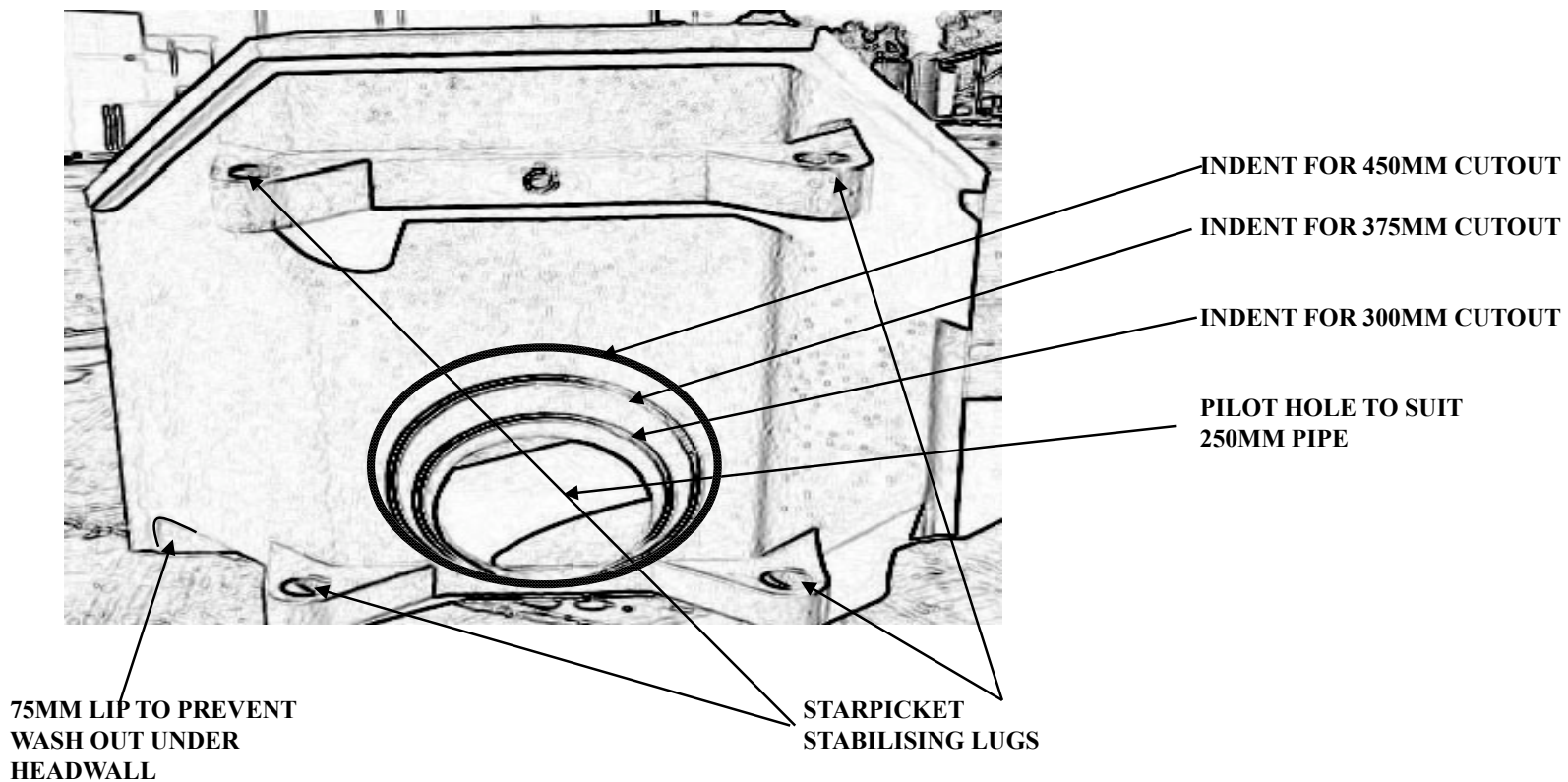


# THE GREEN PIPE<sup>®</sup>

Recycled Plastic Technology Pty Ltd

## RPT HEADWALL FEATURES

### REAR VIEW





**Recycled Plastic Technology Pty Ltd**

**PH: 0354807060**

**AH: 0418391727**

## **Headwall Information**

The RPT Pty Ltd 100% recycled plastic lightweight headwall is set to change the way you think.

Our headwalls are now available for 250mm, 300mm, 375mm and 450mm Green Pipes. They can also be cut to suit others pipes of different diameters.

They are competitively priced and offer the same advantages of the Green Pipe with ease of handling, reduced machinery usage and real savings through installation cost reduction. The problem of difficult access installations is solved with the tried and proven headwalls from Recycled Plastic Technology Pty Ltd.

The Green Pipe headwalls weigh in at just 60kg and are easily handled by a couple of people without risk of injury. Multiple units are simply loaded and transported on light vehicles then comfortably off loaded on site. All without the need for heavy lifting equipment. **(RPT recommend Workcover endorsed safe lifting techniques be used at all times)**

The headwalls have a minimum 20-year UV warranty, star picket lugs for stabilization when installing and a 75mm front lip that aids stability and combats washout under the face of the headwall.

The quality and durability combined with incredible ease of handling of these tough units is sure to impress the installer, and soothe the purchaser.

Manufactured with a standard Green Pipe 250mm hole, RPT have included indents for larger pipes that can be easily removed to fit our larger sizes. We recommend a commercial jigsaw fitted with a coarse tooth (wood) blade for easiest removal of the indents.

**ALL ENQUIRIES PLEASE PHONE:**

**The Green Pipe**

**BH: 0354 807060**

**AH: 0418 391 727**

**FAX: 0354 824665**

**OR YOUR LOCAL AGENT**

